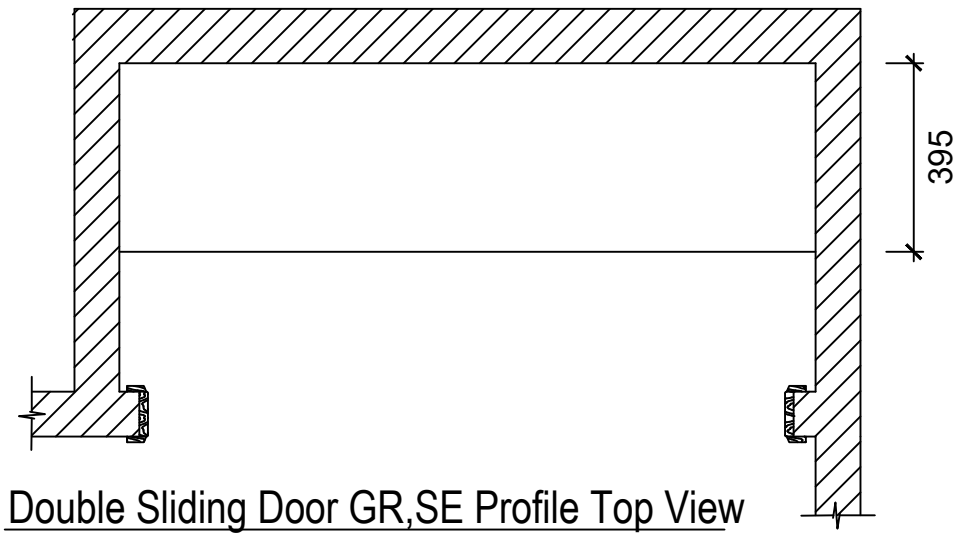
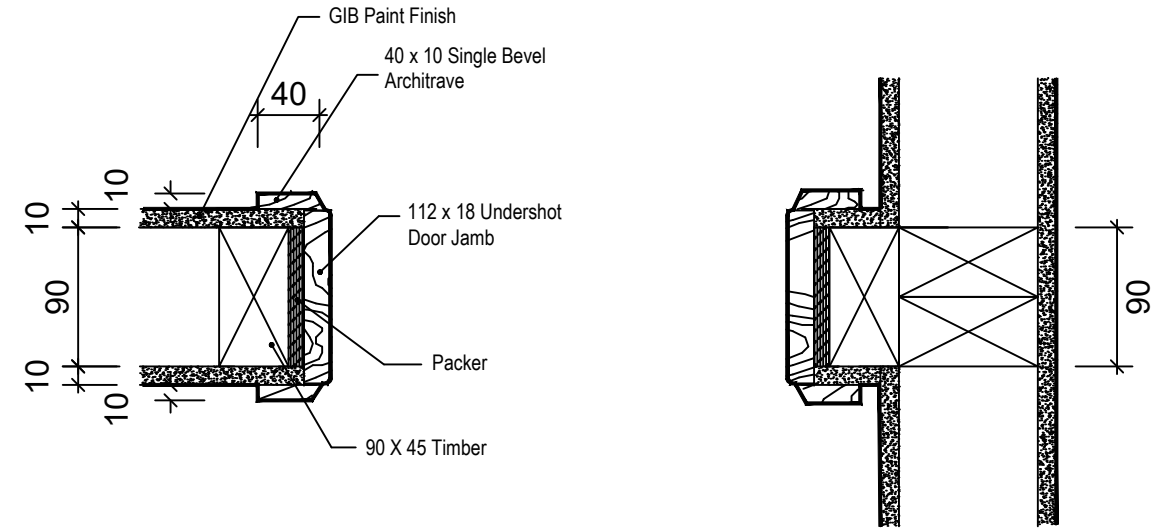


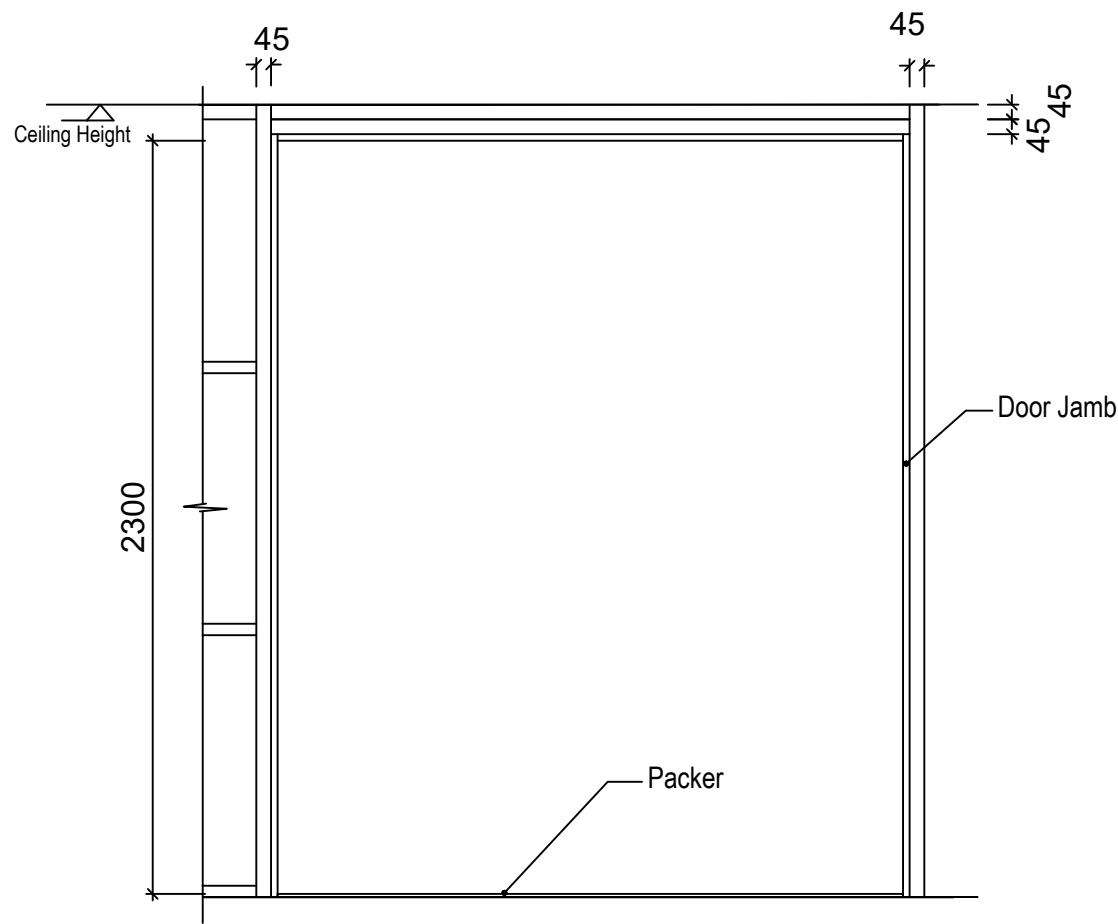
Architrave Door Jamb



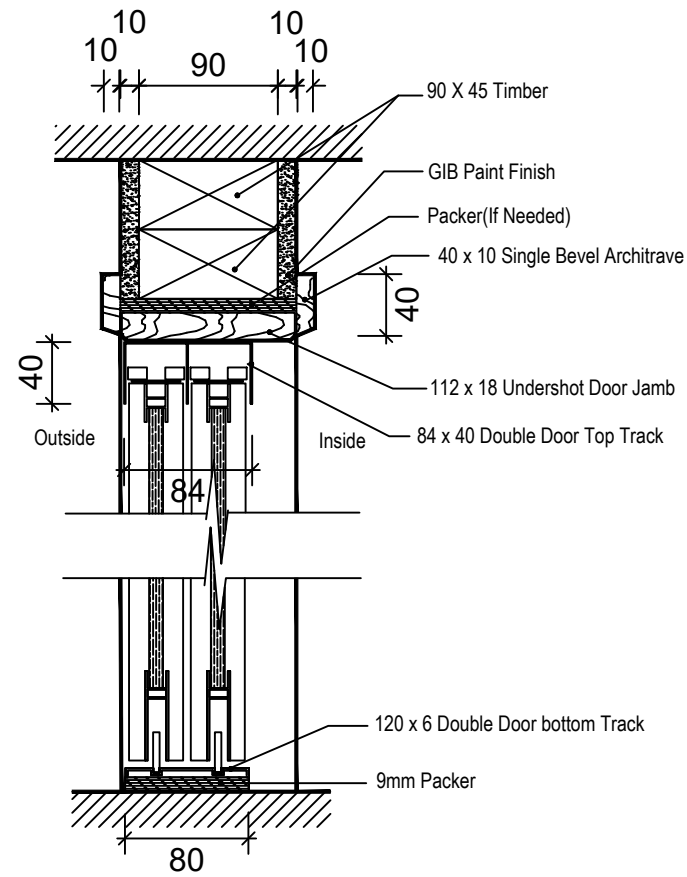
Double Sliding Door GR,SE Profile Top View



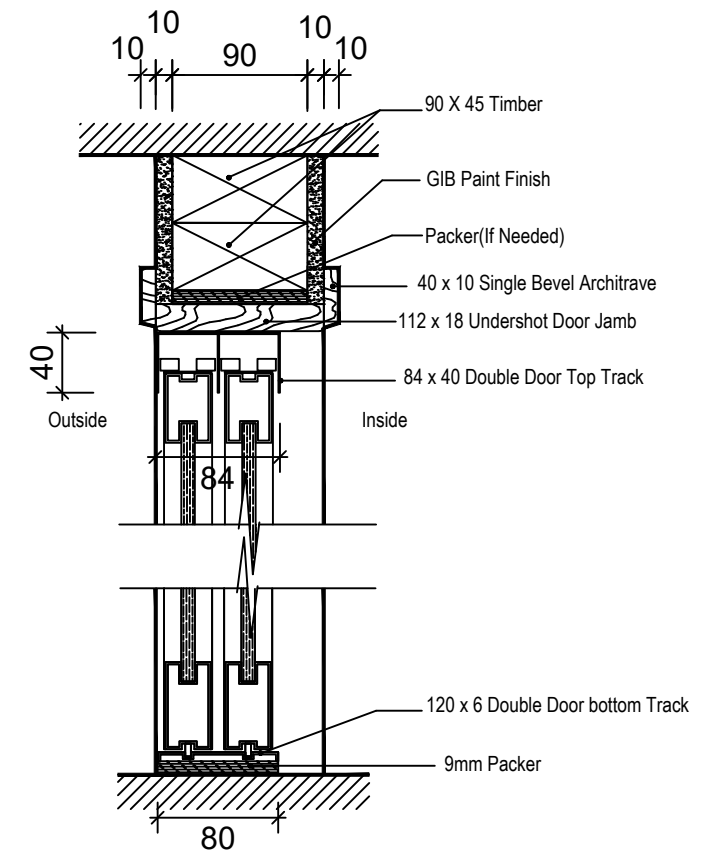
Double Sliding Door Architrave Door Jamb Detail Drawing



Double Sliding Door GR,SE Profile Front View



Double Sliding Door GR Profile Section View



Double Sliding Door SE Profile Section View



PROJECT:

Double Sliding Door GR,SE Profile Architrave Door Jamb Details

ITEM	
Door Jamb	Humepine 112 x 18 Undershot Door Jamb
Architrave	Humepine 40 x 10 Single Bevel Architrave
GR Door Opening	1250/1900/2470
SE Door Opening	1295/1950/2515
Top Track Size	Length x 84D x 40H
Bottom Track Size	Length x 80D x 6H

REVISION	DATE
	04.06.24
REVISION	SHEET
REVISION	
DRAWN BY	James