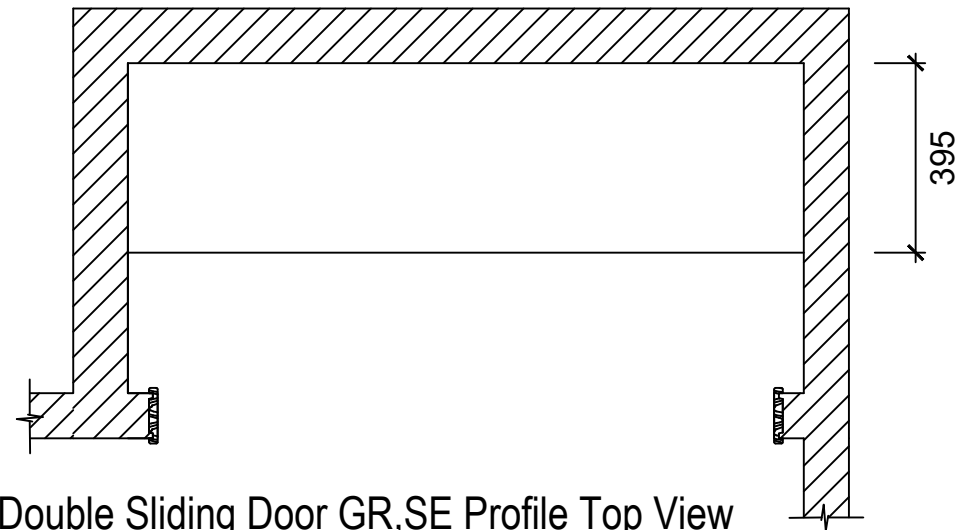
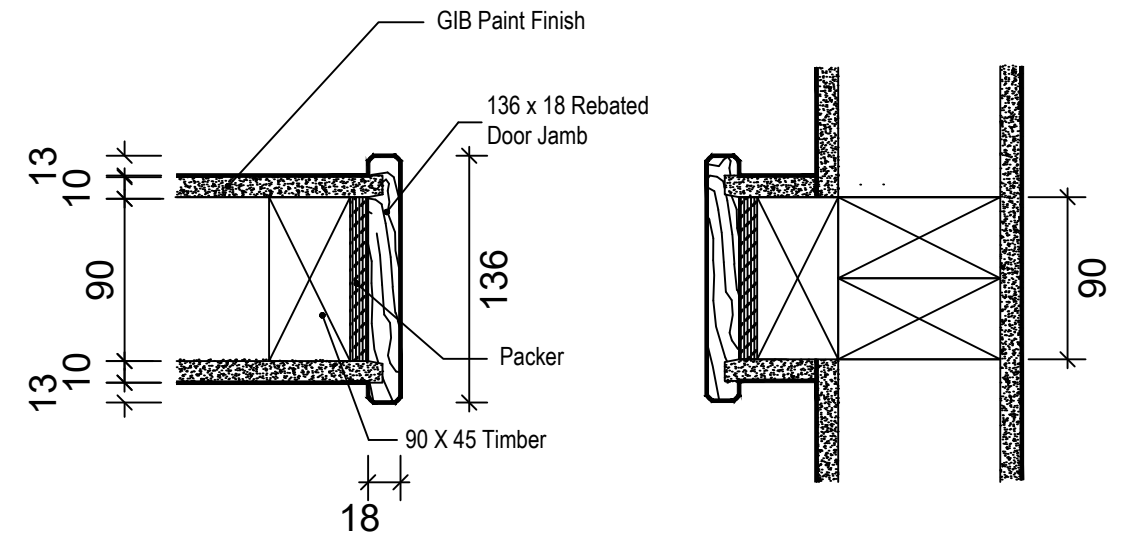


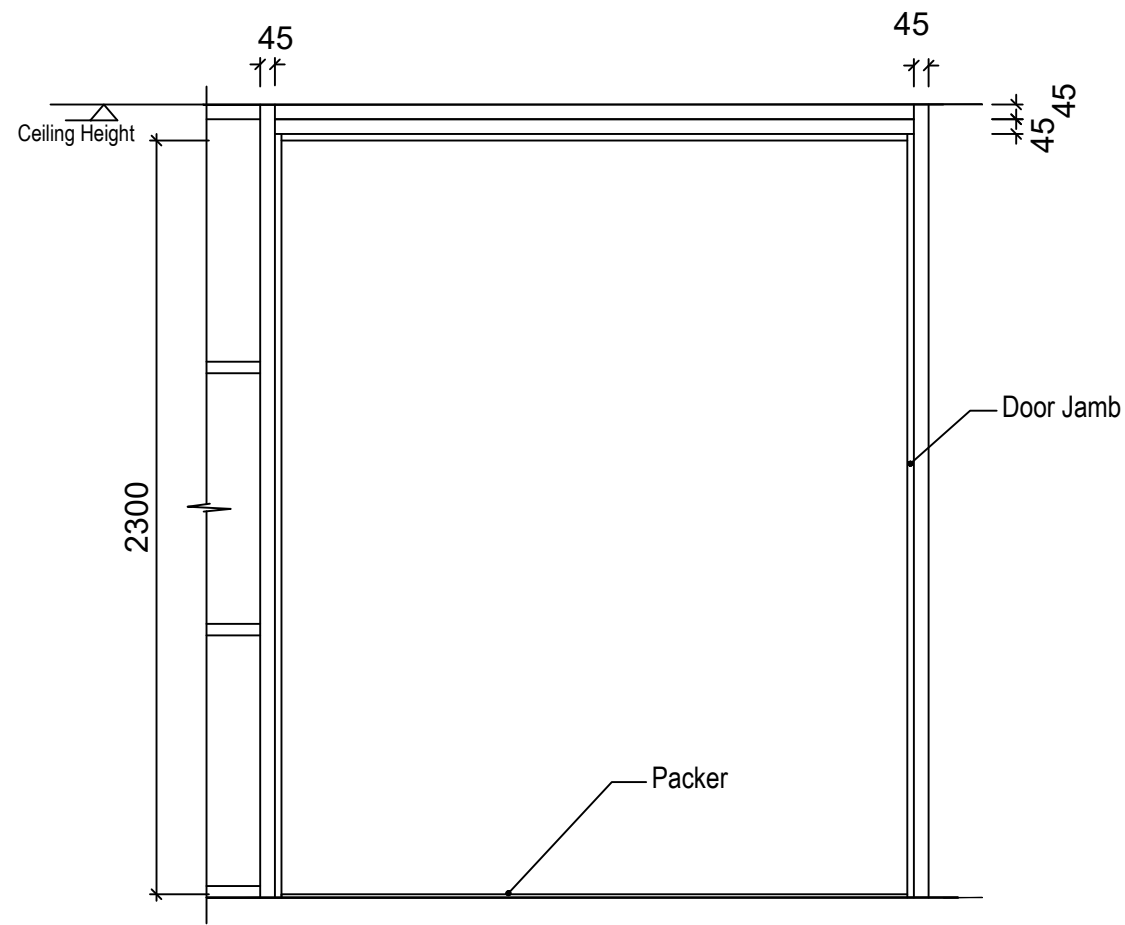
Rebated Door Jamb



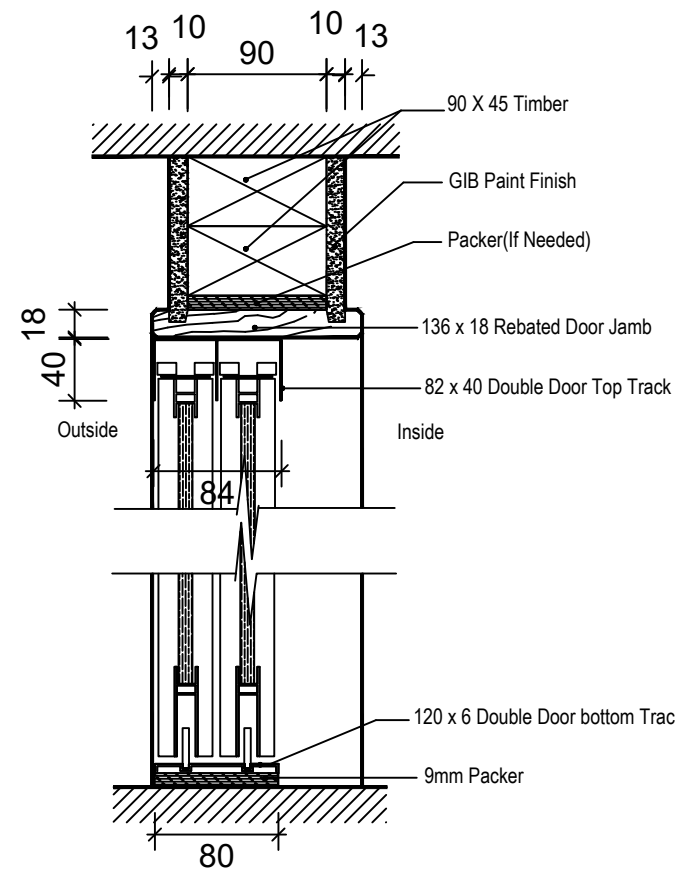
Double Sliding Door GR,SE Profile Top View



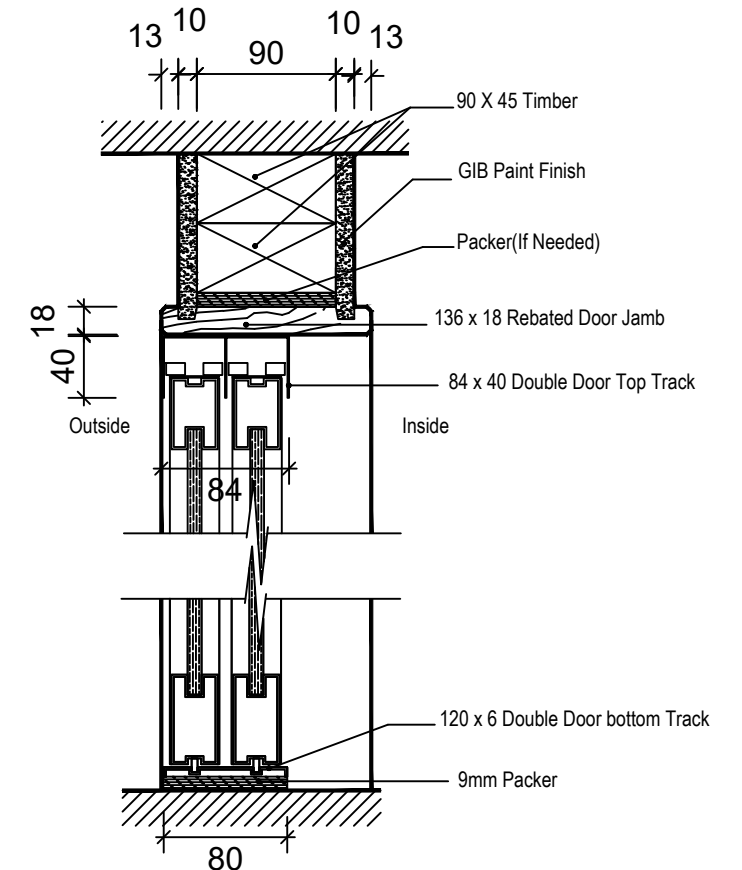
Double Sliding Door Rebated Door Jamb Detail Drawing



Double Sliding Door GR,SE Profile Front View



Double Sliding Door GR Profile Section View



Double Sliding Door SE Profile Section View



PROJECT:

Double Sliding Door GR,SE Profile Rebated Door Jamb Details

| ITEM | |
|-------------------|-------------------------------------|
| Door Jamb | Humepine 136 x 18 Rebated Door Jamb |
| 2-GR Door Opening | 1250/1900/2470 |
| 2-SE Door Opening | 1295/1950/2515 |
| Top Track Size | Length x 84D x 40H |
| Bottom Track Size | Length x 80D x 6H |

| REVISION | DATE |
|----------|----------|
| | 04.06.24 |
| REVISION | SHEET |
| REVISION | |
| DRAWN BY | James |